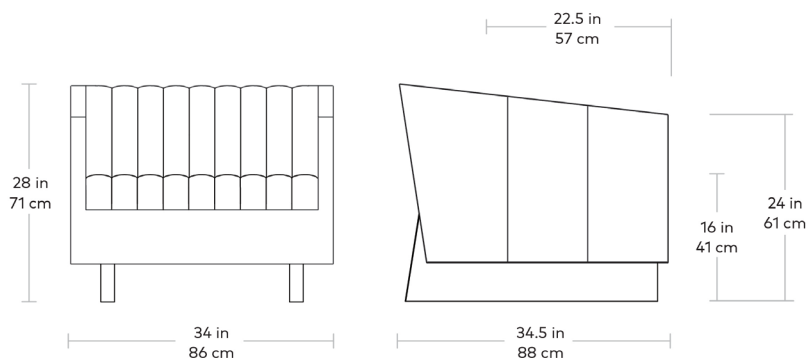


Wallace Chair

Gus*



UPHOLSTERY > Leather

BASE > Solid Wood with Walnut Finish

The Wallace Chair is a modern reinterpretation of the classic English Chesterfield design. The channel-stitched leather upholstery on the seat, back, and arms creates a surface that is both visually striking and remarkably comfortable. Piping details, sloping armrests and an angular wooden base add sculptural, contemporary flair, while luxurious, channeled padding make it perfect for lounging. Available in three vintage leathers, chosen for their unique grain characteristics that will age beautifully and develop a rich natural patina over time.

To see all finish options visit
gusmodern.com