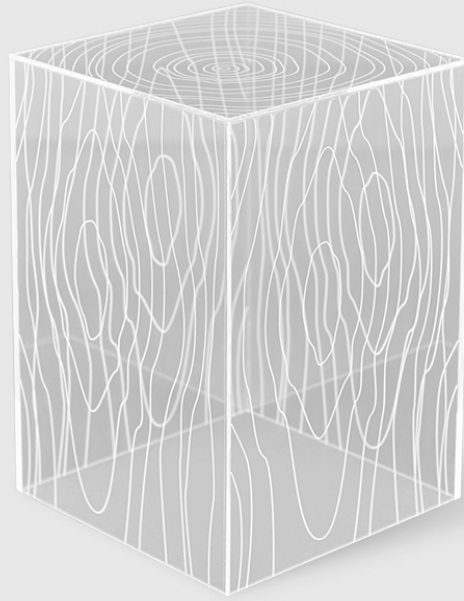


# Timber Table



Clear  
Acrylic

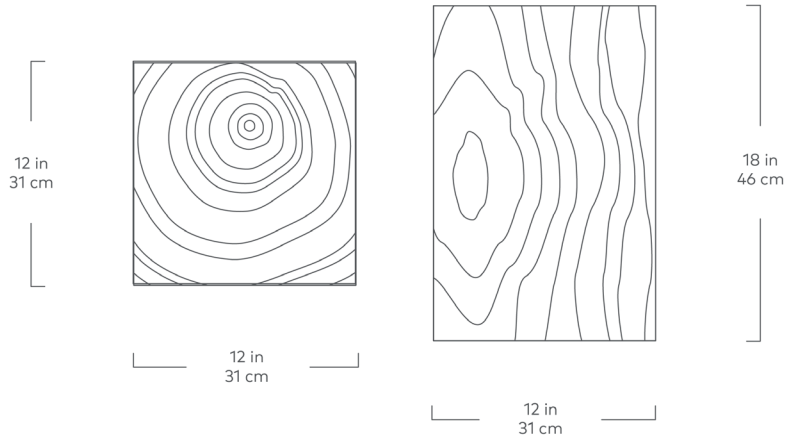
This accent table playfully fuses woodgrain patterns onto a five-sided acrylic box, juxtaposing organic lines with modern materials. The Timber Table is hollow, and can be flipped over to create an elegant storage piece.

---

Design Trade Professionals: We aim to keep our designs in stock and ready to ship quickly for projects on a tight timeline. Designs may be customized with COM and alternate finishes (minimum quantities may apply). Visit [guscontract.com](http://guscontract.com) for more information about our Trade & Contract programs.

**Gus\***

# Timber Table



- Surfaces are precision-cut, 1/4" clear acrylic.
- Acrylic edges are flame polished for clarity and smooth finish.
- Panels are joined with invisible, UV-cured adhesive.
- Not recommended as a stool.